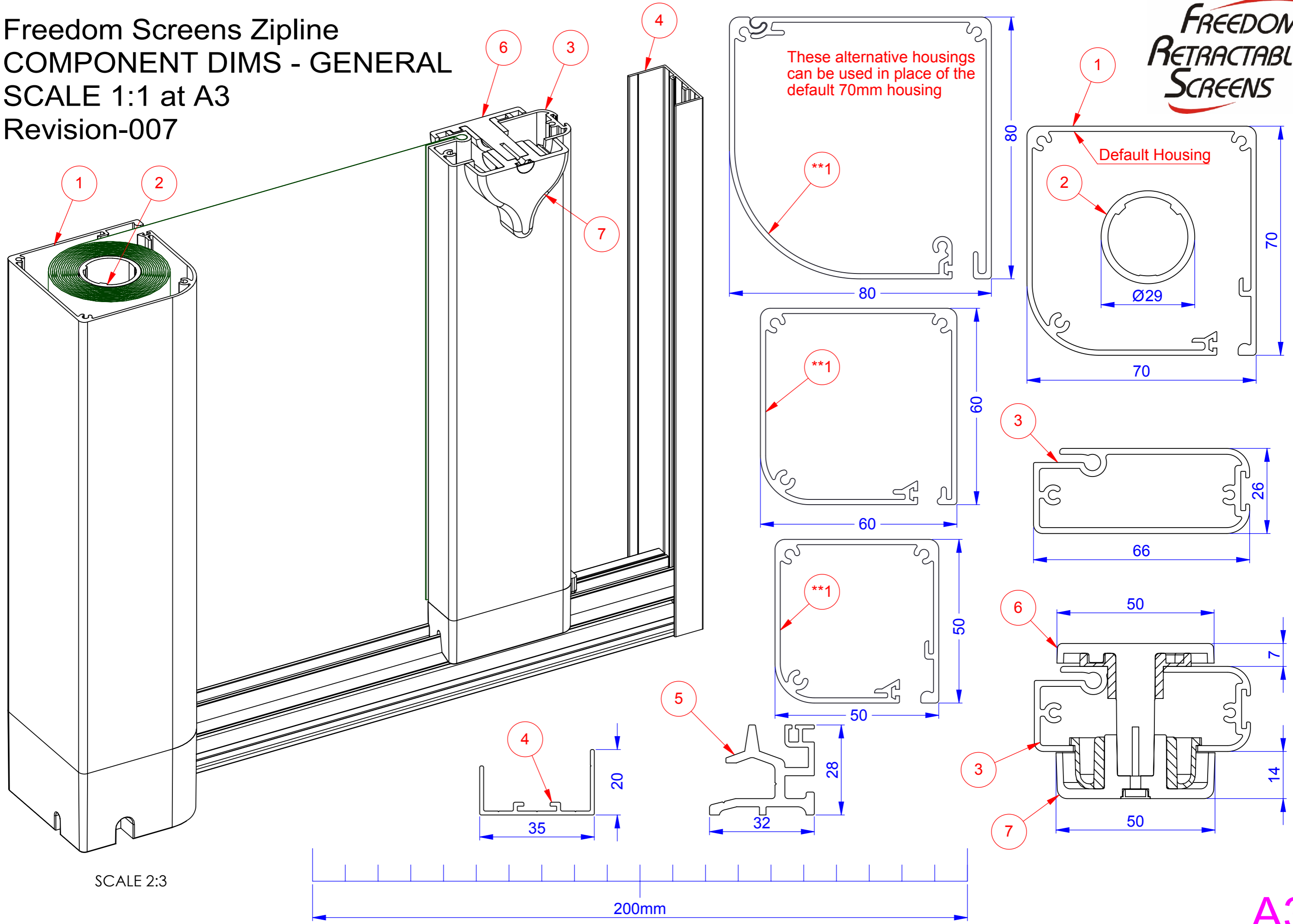
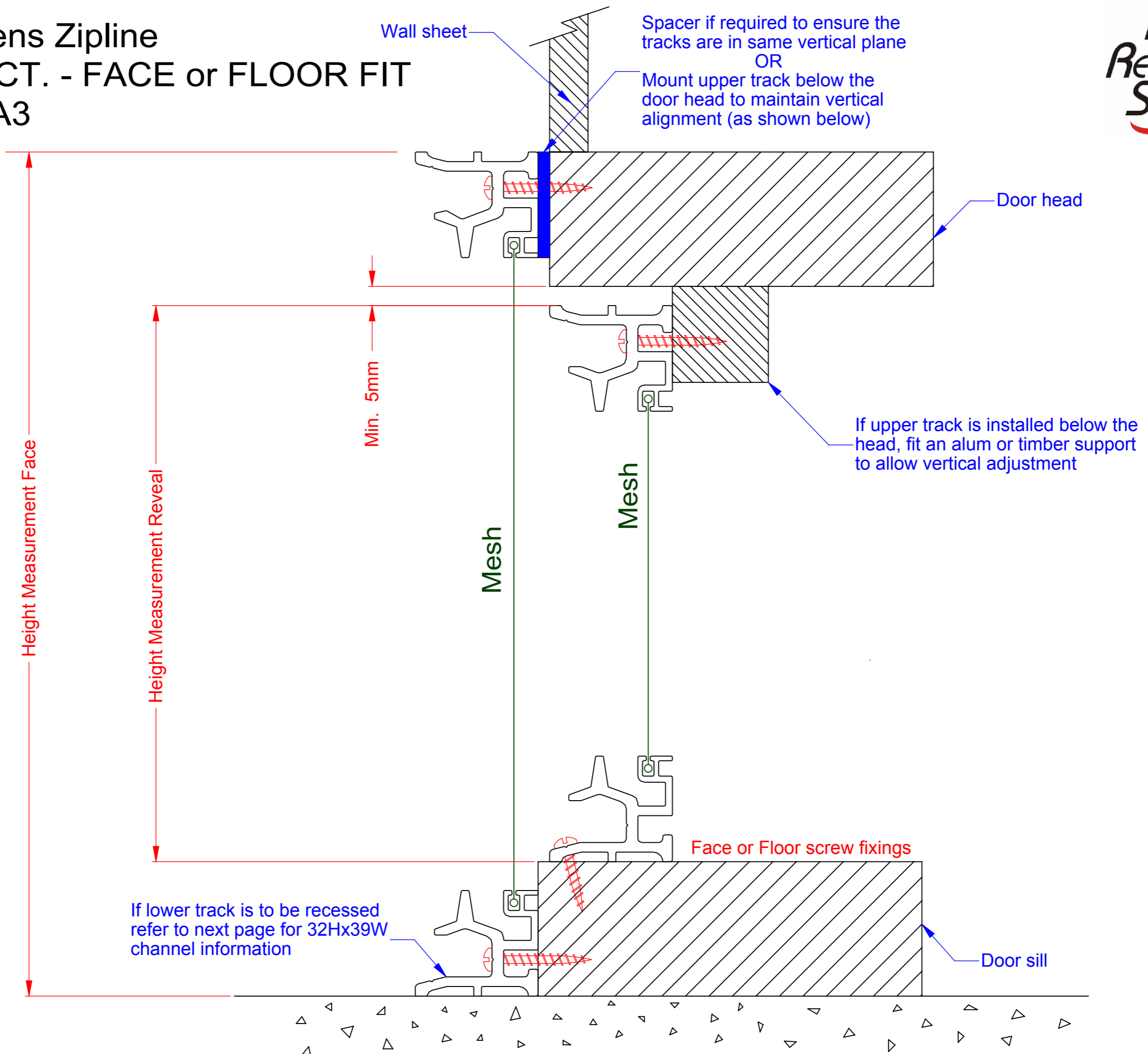


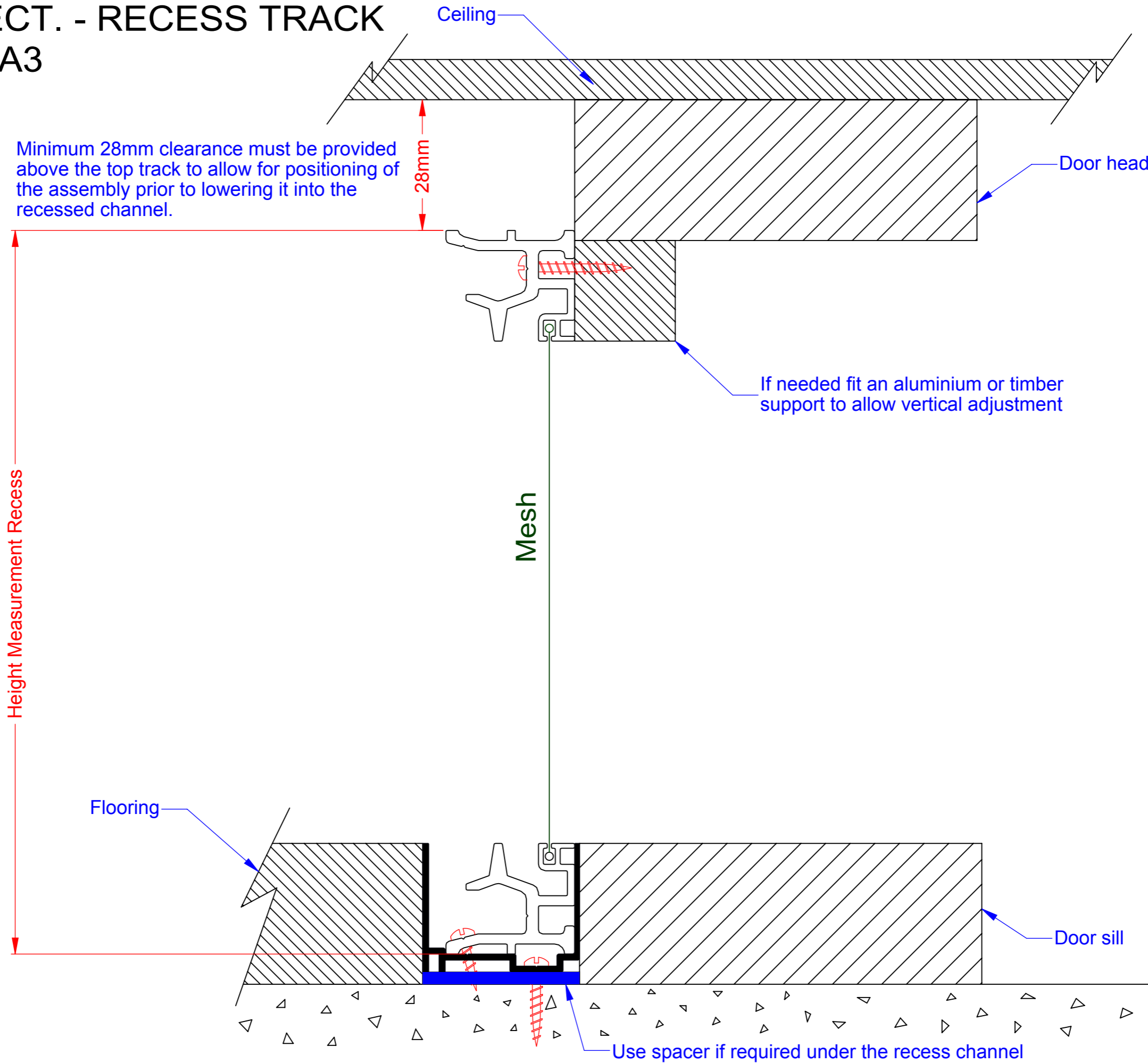
Freedom Screens Zipline  
 COMPONENT DIMS - GENERAL  
 SCALE 1:1 at A3  
 Revision-007



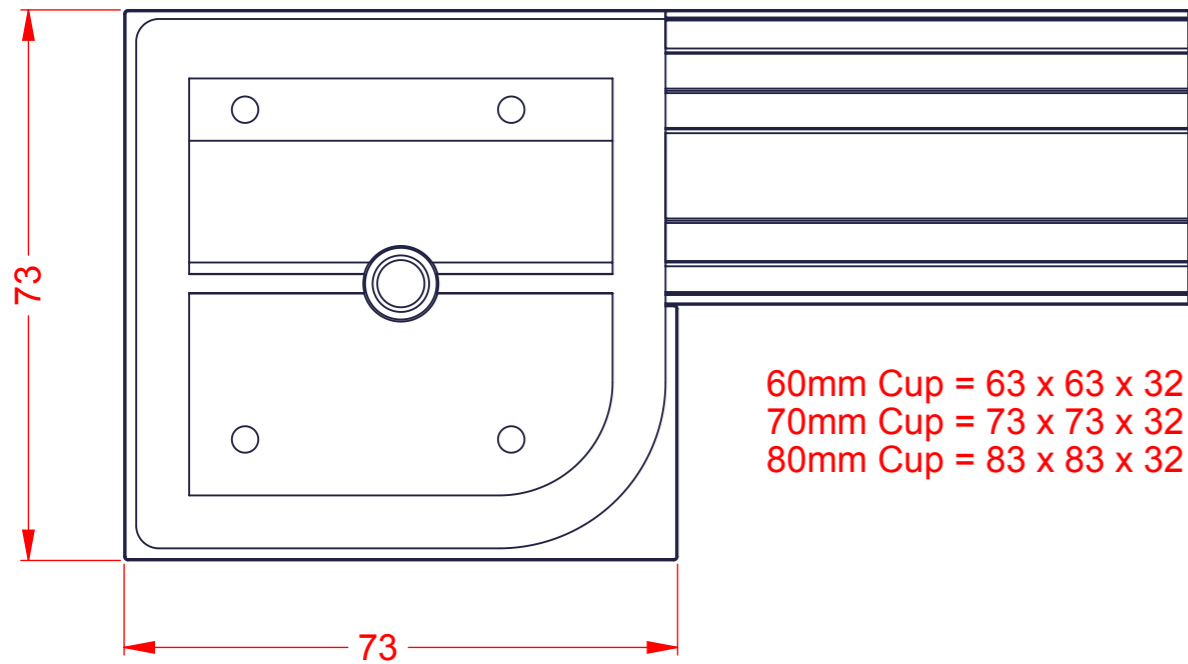
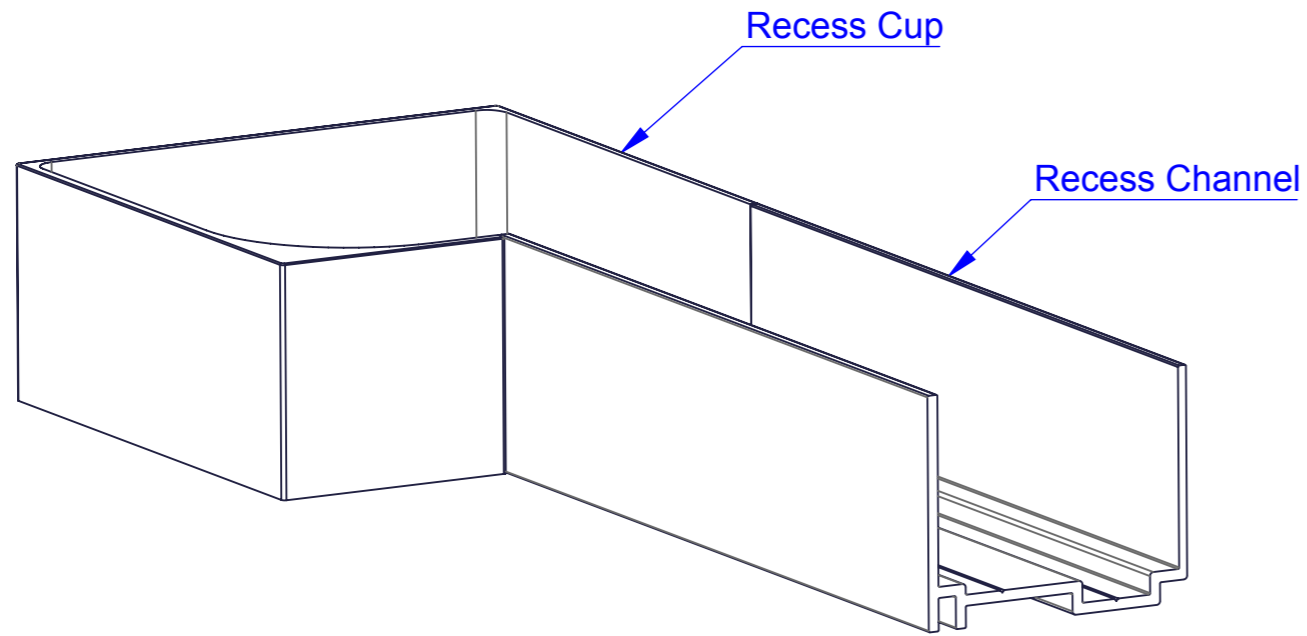
Freedom Screens Zipline  
VERTICAL SECT. - FACE or FLOOR FIT  
SCALE 1:1 at A3  
Revision-007



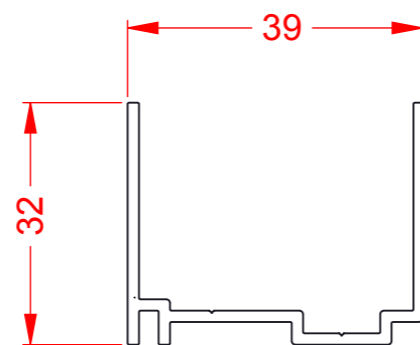
Freedom Screens Zipline  
VERTICAL SECT. - RECESS TRACK  
SCALE 1:1 at A3  
Revision-006



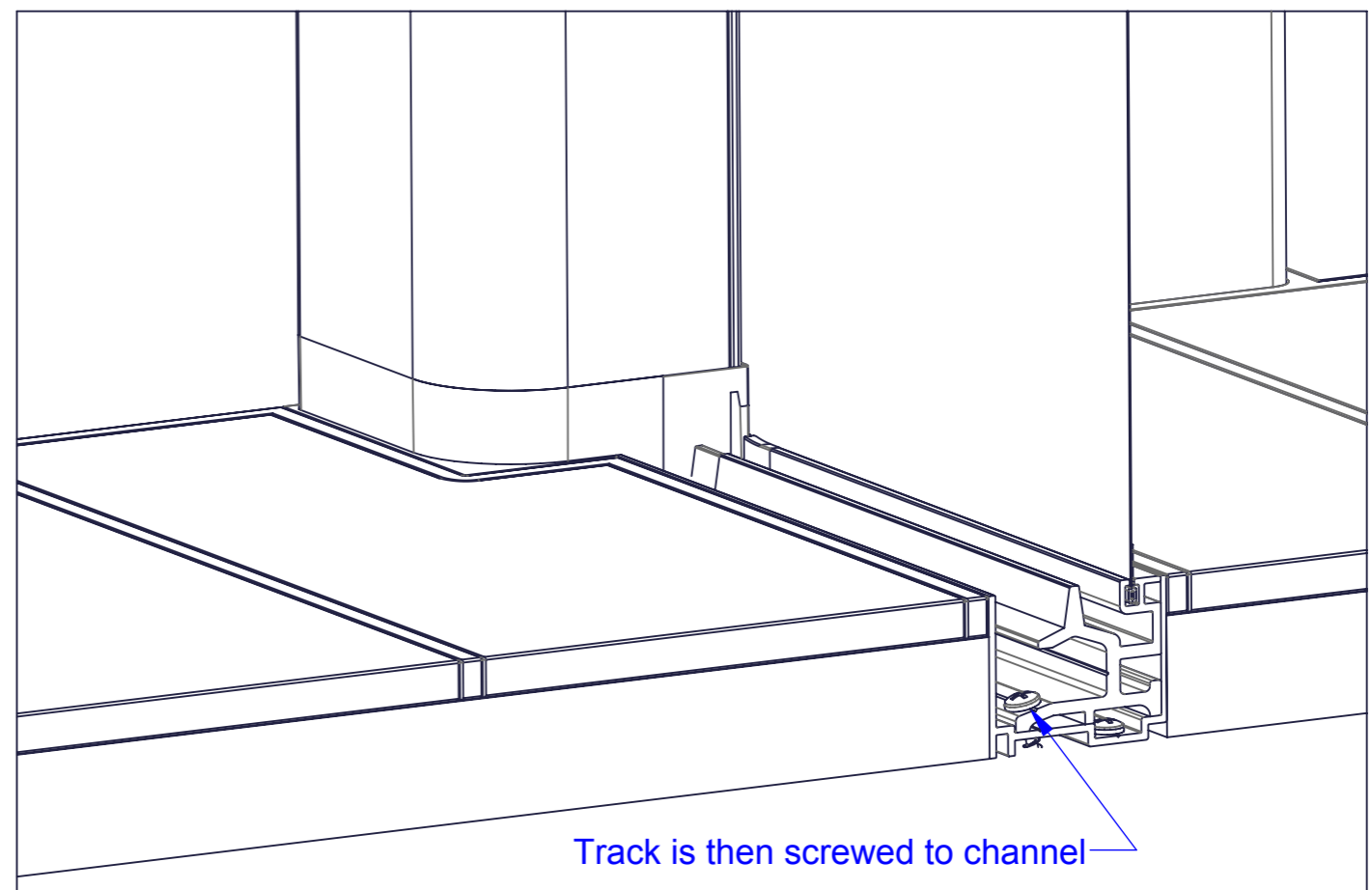
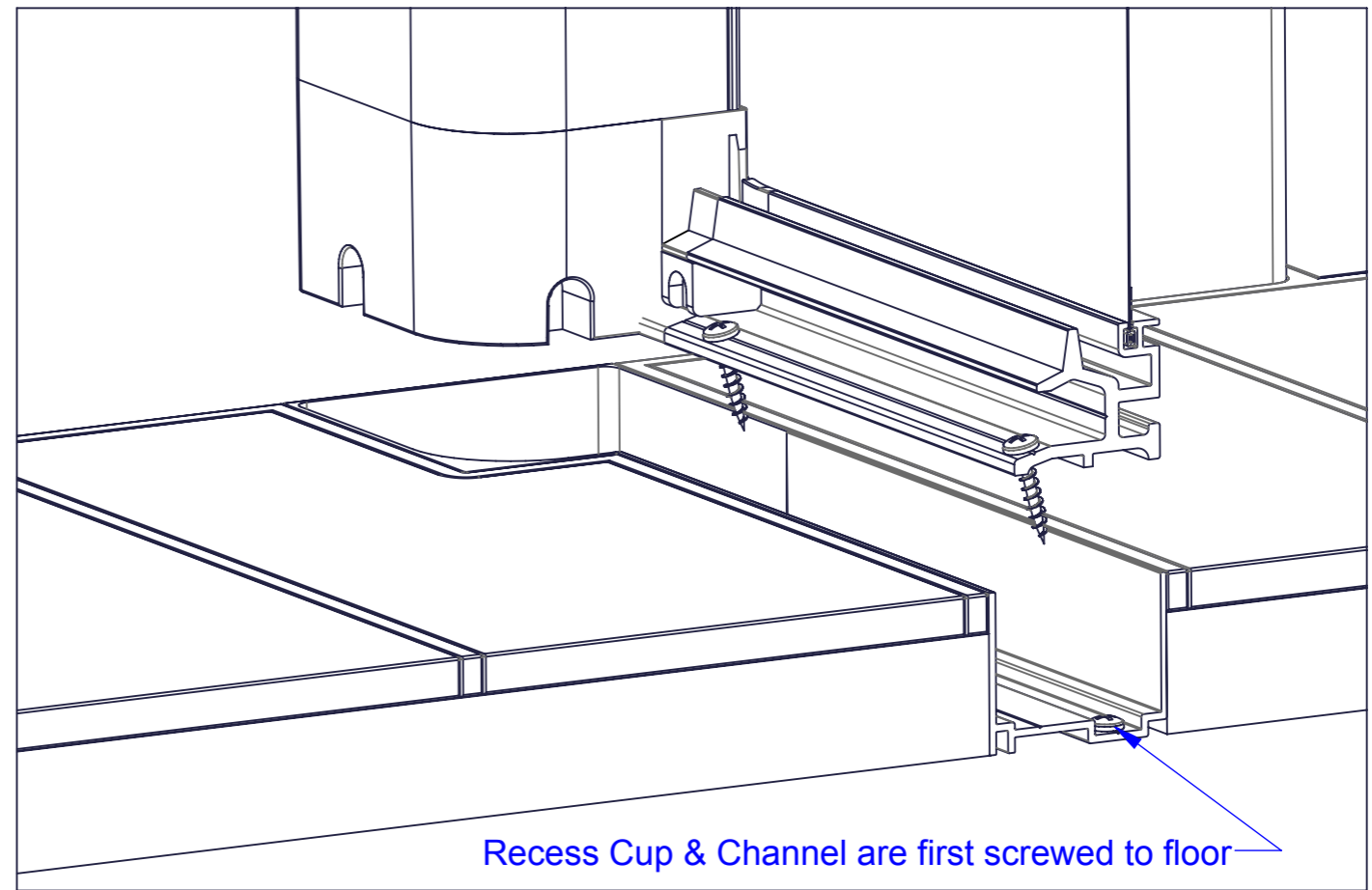
Freedom Screens Zipline  
 DETAIL - RECESS TRACK  
 SCALE 1:1 at A3  
 Revision-007



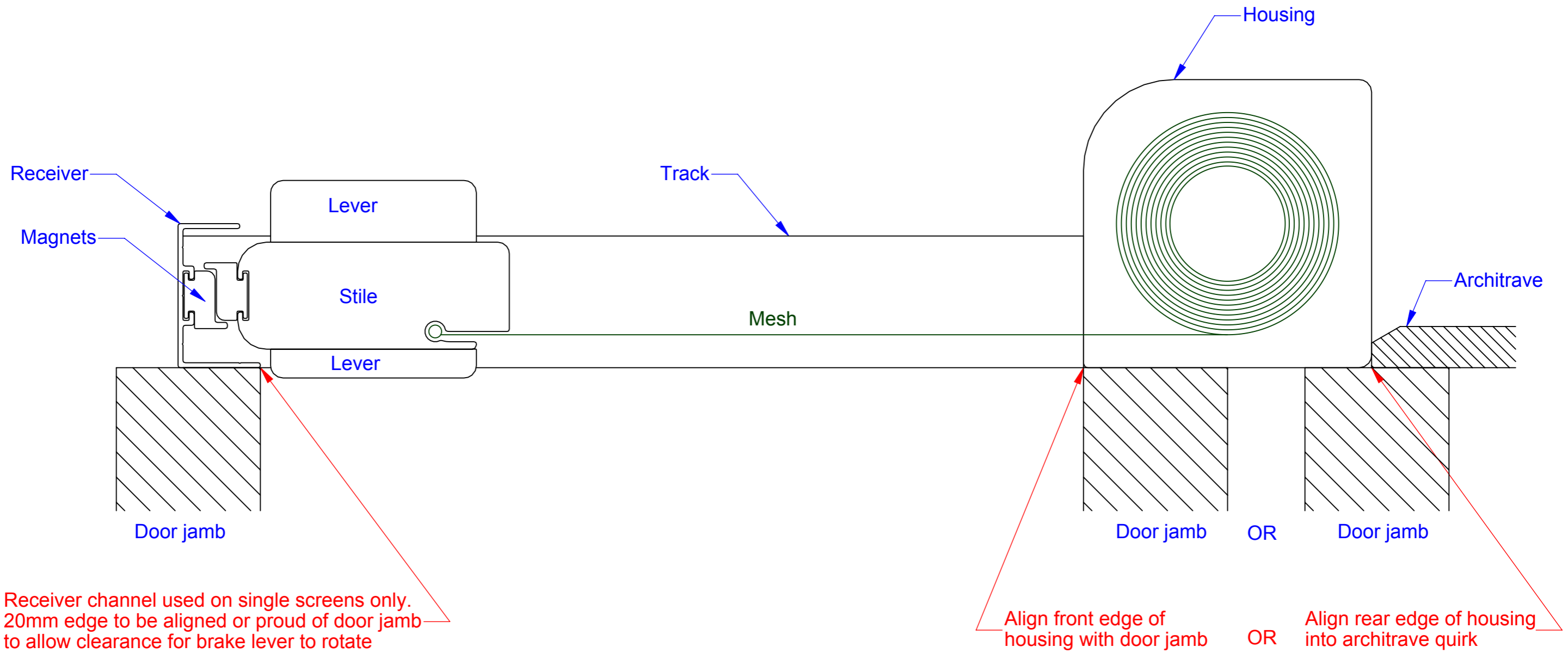
60mm Cup = 63 x 63 x 32  
 70mm Cup = 73 x 73 x 32  
 80mm Cup = 83 x 83 x 32



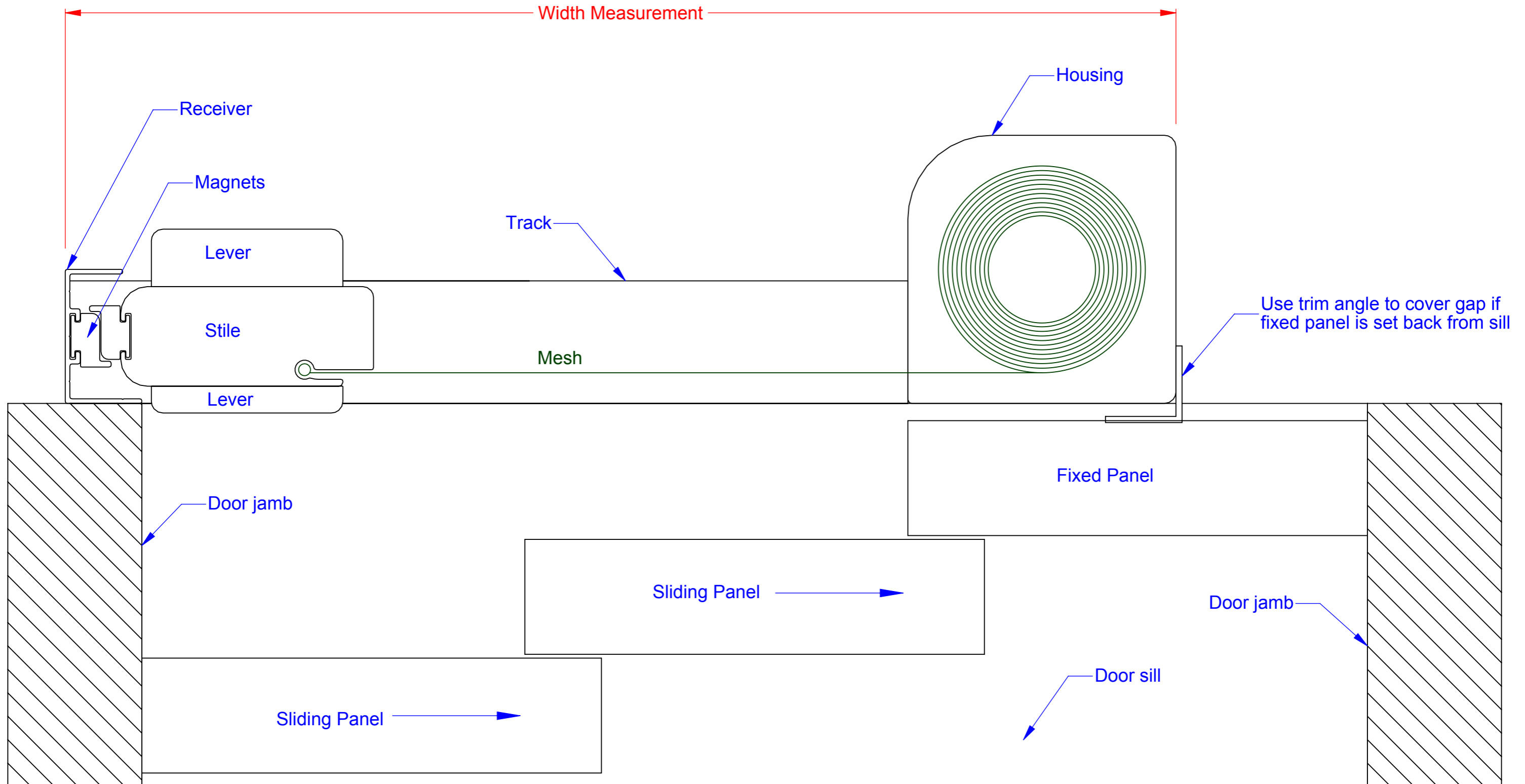
Recess channel & cup assembly may be fitted first to allow flooring to be completed. The screen unit may then be fitted at a later stage near project completion.



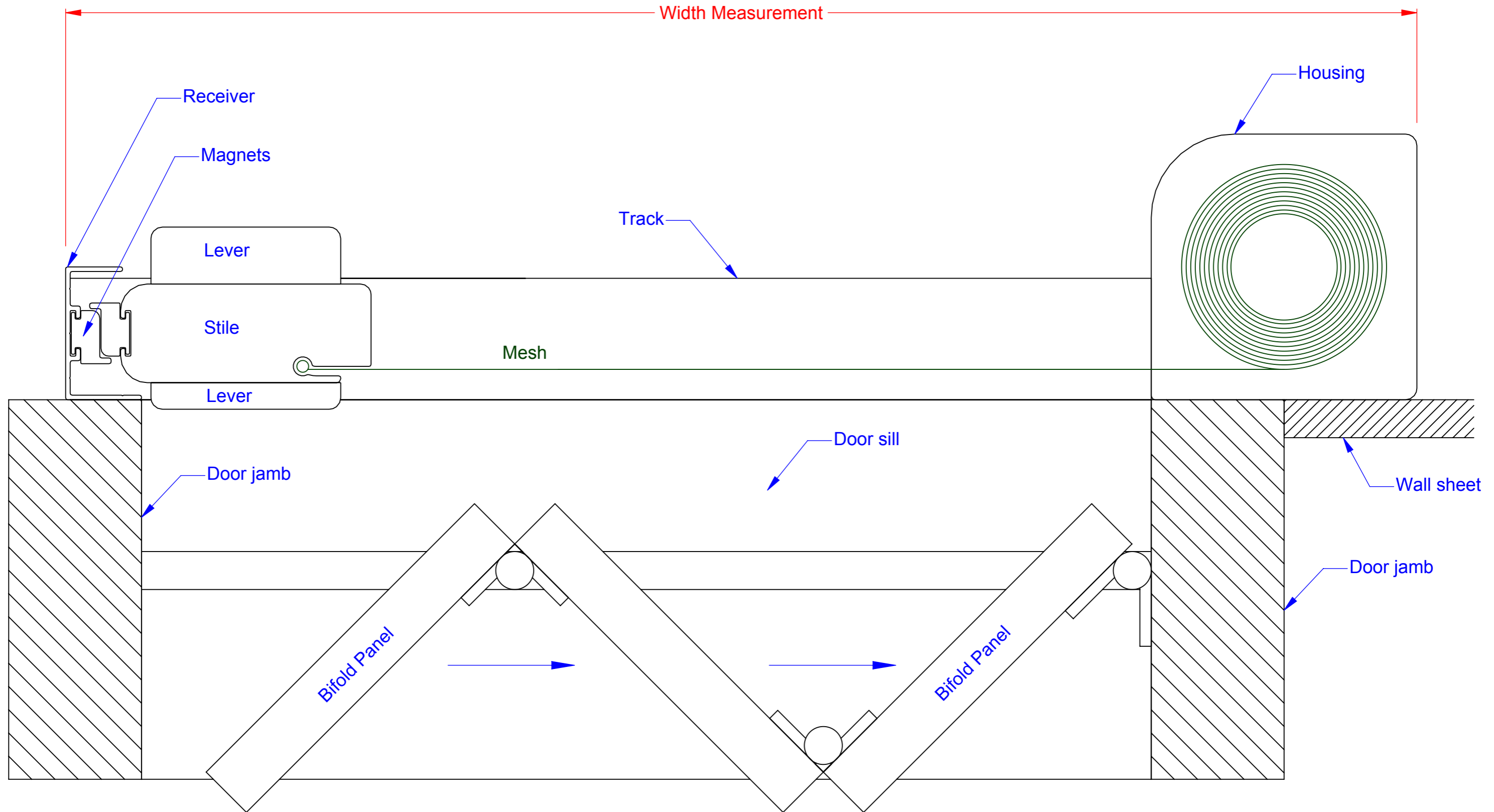
Freedom Screens Zipline  
 PLAN VIEW - GENERAL  
 SCALE 1:1 at A3  
 Revision-007



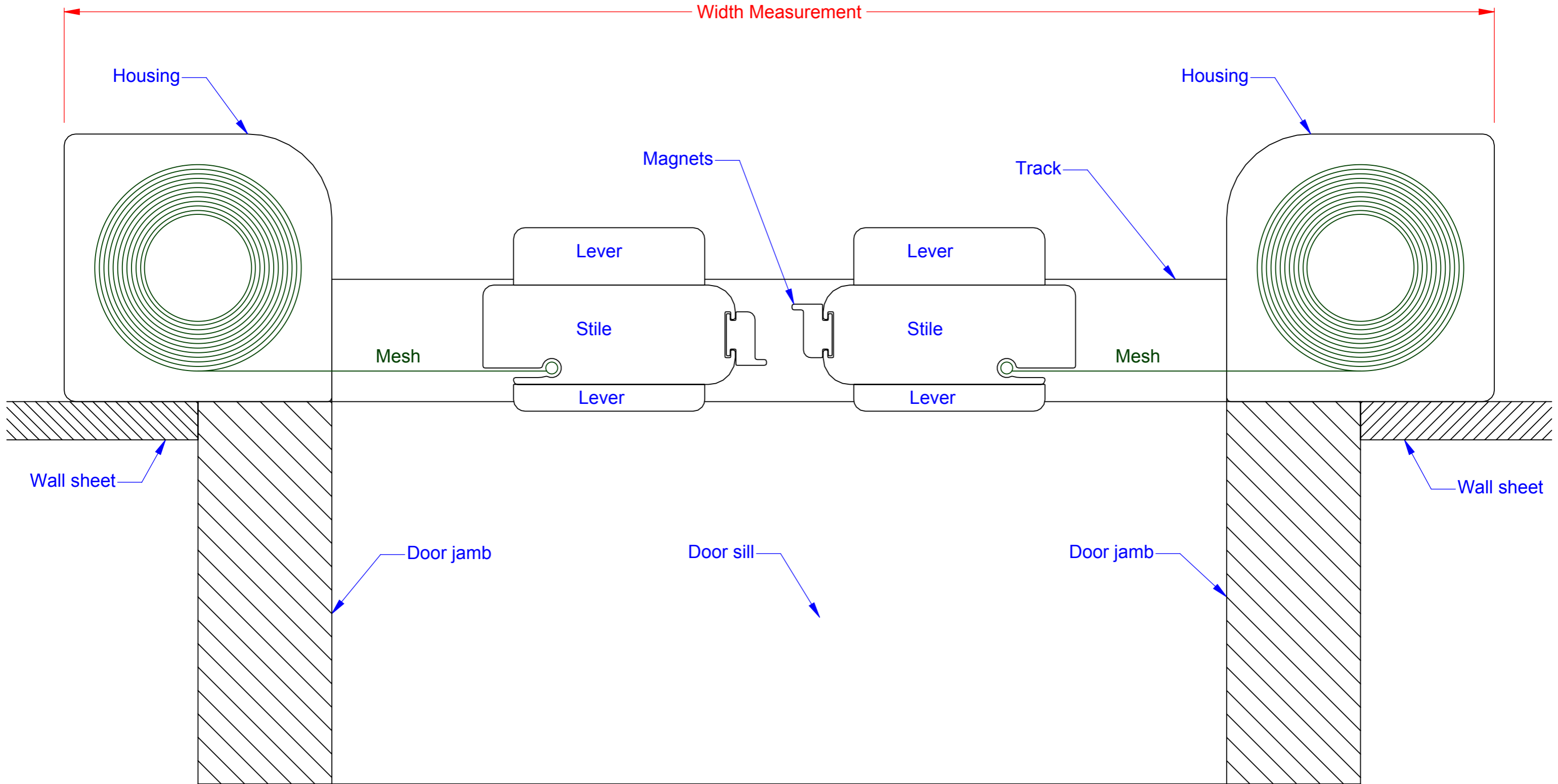
Freedom Screens Zipline  
PLAN VIEW - STACKER DOORS  
SCALE 1:1 at A3  
Revision-007



Freedom Screens Zipline  
PLAN VIEW - BIFOLD DOORS  
SCALE 1:1 at A3  
Revision-007

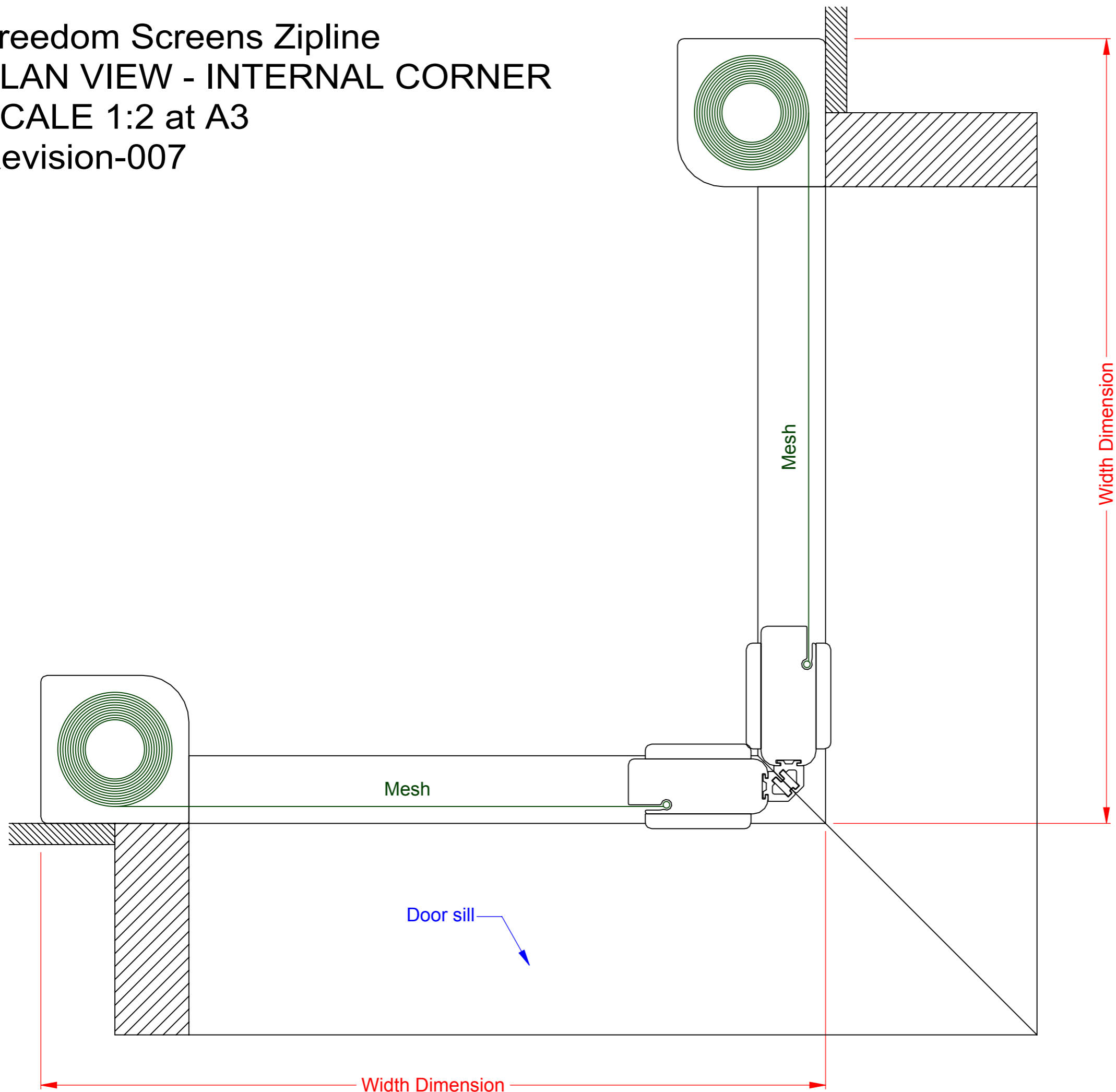


Freedom Screens Zipline  
PLAN VIEW - DOUBLE DOORS  
SCALE 1:1 at A3  
Revision-007





Freedom Screens Zipline  
PLAN VIEW - INTERNAL CORNER  
SCALE 1:2 at A3  
Revision-007



Freedom Screens Zipline  
PLAN VIEW - EXTERNAL CORNER  
SCALE 1:2 at A3  
Revision-007

